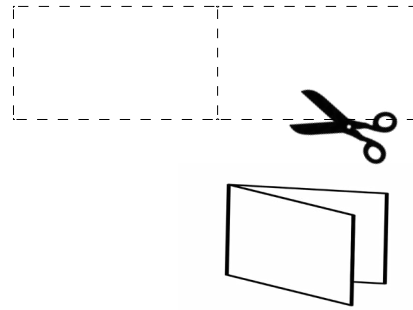


To print at home, use heavy weight paper, or card stock. Cut out the cards along the dotted lines. If you're unable to print on both sides, you can simply fold on the center line to make a 2-sided card.

If you use a professional printer, we suggest you print 2-sided cards with white text on red card stock with rounded corners.



Koj muaj cai los ntawm tug txhoj lij choj:

- **TSIS TXHOB QHIB QHOV ROOJ** li yog thaum muaj ib tus tib neeg sawv cev tsoom fww immigration tuaj khob qhov rooj.
- **TSIS TXHOB TEB IB NQI LUS NUG LI** yog muaj ib tus tib neeg sawv cev tsoom fww immigration xav nrog koj tham. Koj yeej muaj cai nyob twb ywm tsis hais lus.
- **TSIS TXHOB KOS NPE RAU DAB TSI LI** yog thaum koj tseem tsis tau nrog ib tug kws lij choj tham. Koj yeej muaj cai nrog ib tug kws lij choj hais lus.
- Yog tias koj nyob nraum zoov ntawm koj lub tsev, koj yuav tau nug tus tib neeg sawv cev tsoom fww immigration ntawd seb koj mus puas tau. Yog lawv teb tias mus tau, ces maj mam mus.
- **MUAB DAIM NPAV (DAIM PHIAJ) RAU TUS TIB NEEG SAWV CEV TSOOM FWW.** Yog tias koj nyob hauv tsev, tes muab daim npav tsa ntawm lub qhov rais kom nws pom los yog muab ntixig hauv qab qhov rooj mus.

I do not wish to speak with you, answer your questions, or sign or hand you any documents based on my 5th Amendment rights under the United States Constitution.

I do not give you permission to enter my home based on my 4th Amendment rights under the United States Constitution unless you have a warrant to enter, signed by a judge or magistrate with my name on it that you slide under the door.

I do not give you permission to search any of my belongings based on my 4th Amendment rights.

I choose to exercise my constitutional rights.

These cards are available to citizens and noncitizens alike.

Koj muaj cai los ntawm tug txhoj lij choj:

- **TSIS TXHOB QHIB QHOV ROOJ** li yog thaum muaj ib tus tib neeg sawv cev tsoom fww immigration tuaj khob qhov rooj.
- **TSIS TXHOB TEB IB NQI LUS NUG LI** yog muaj ib tus tib neeg sawv cev tsoom fww immigration xav nrog koj tham. Koj yeej muaj cai nyob twb ywm tsis hais lus.
- **TSIS TXHOB KOS NPE RAU DAB TSI LI** yog thaum koj tseem tsis tau nrog ib tug kws lij choj tham. Koj yeej muaj cai nrog ib tug kws lij choj hais lus.
- Yog tias koj nyob nraum zoov ntawm koj lub tsev, koj yuav tau nug tus tib neeg sawv cev tsoom fww immigration ntawd seb koj mus puas tau. Yog lawv teb tias mus tau, ces maj mam mus.
- **MUAB DAIM NPAV (DAIM PHIAJ) RAU TUS TIB NEEG SAWV CEV TSOOM FWW.** Yog tias koj nyob hauv tsev, tes muab daim npav tsa ntawm lub qhov rais kom nws pom los yog muab ntixig hauv qab qhov rooj mus.

I do not wish to speak with you, answer your questions, or sign or hand you any documents based on my 5th Amendment rights under the United States Constitution.

I do not give you permission to enter my home based on my 4th Amendment rights under the United States Constitution unless you have a warrant to enter, signed by a judge or magistrate with my name on it that you slide under the door.

I do not give you permission to search any of my belongings based on my 4th Amendment rights.

I choose to exercise my constitutional rights.

These cards are available to citizens and noncitizens alike.

Koj muaj cai los ntawm tug txhoj lij choj:

- **TSIS TXHOB QHIB QHOV ROOJ** li yog thaum muaj ib tus tib neeg sawv cev tsoom fww immigration tuaj khob qhov rooj.
- **TSIS TXHOB TEB IB NQI LUS NUG LI** yog muaj ib tus tib neeg sawv cev tsoom fww immigration xav nrog koj tham. Koj yeej muaj cai nyob twb ywm tsis hais lus.
- **TSIS TXHOB KOS NPE RAU DAB TSI LI** yog thaum koj tseem tsis tau nrog ib tug kws lij choj tham. Koj yeej muaj cai nrog ib tug kws lij choj hais lus.
- Yog tias koj nyob nraum zoov ntawm koj lub tsev, koj yuav tau nug tus tib neeg sawv cev tsoom fww immigration ntawd seb koj mus puas tau. Yog lawv teb tias mus tau, ces maj mam mus.
- **MUAB DAIM NPAV (DAIM PHIAJ) RAU TUS TIB NEEG SAWV CEV TSOOM FWW.** Yog tias koj nyob hauv tsev, tes muab daim npav tsa ntawm lub qhov rais kom nws pom los yog muab ntixig hauv qab qhov rooj mus.

I do not wish to speak with you, answer your questions, or sign or hand you any documents based on my 5th Amendment rights under the United States Constitution.

I do not give you permission to enter my home based on my 4th Amendment rights under the United States Constitution unless you have a warrant to enter, signed by a judge or magistrate with my name on it that you slide under the door.

I do not give you permission to search any of my belongings based on my 4th Amendment rights.

I choose to exercise my constitutional rights.

These cards are available to citizens and noncitizens alike.

Koj muaj cai los ntawm tug txhoj lij choj:

- **TSIS TXHOB QHIB QHOV ROOJ** li yog thaum muaj ib tus tib neeg sawv cev tsoom fww immigration tuaj khob qhov rooj.
- **TSIS TXHOB TEB IB NQI LUS NUG LI** yog muaj ib tus tib neeg sawv cev tsoom fww immigration xav nrog koj tham. Koj yeej muaj cai nyob twb ywm tsis hais lus.
- **TSIS TXHOB KOS NPE RAU DAB TSI LI** yog thaum koj tseem tsis tau nrog ib tug kws lij choj tham. Koj yeej muaj cai nrog ib tug kws lij choj hais lus.
- Yog tias koj nyob nraum zoov ntawm koj lub tsev, koj yuav tau nug tus tib neeg sawv cev tsoom fww immigration ntawd seb koj mus puas tau. Yog lawv teb tias mus tau, ces maj mam mus.
- **MUAB DAIM NPAV (DAIM PHIAJ) RAU TUS TIB NEEG SAWV CEV TSOOM FWW.** Yog tias koj nyob hauv tsev, tes muab daim npav tsa ntawm lub qhov rais kom nws pom los yog muab ntixig hauv qab qhov rooj mus.

I do not wish to speak with you, answer your questions, or sign or hand you any documents based on my 5th Amendment rights under the United States Constitution.

I do not give you permission to enter my home based on my 4th Amendment rights under the United States Constitution unless you have a warrant to enter, signed by a judge or magistrate with my name on it that you slide under the door.

I do not give you permission to search any of my belongings based on my 4th Amendment rights.

I choose to exercise my constitutional rights.

These cards are available to citizens and noncitizens alike.